



## FEATURES

- Bluetooth 5.0 network technology enables the switch to be linked to one or more light groups via the app
- Powered by readily available and inexpensive 3V CR2032 battery
- 4 separate configurable scene buttons
- Preset scene functions available for scene buttons: ON, ON/OFF, OFF w/15min delay, OFF w/1hr delay, OFF w/2hr delay, OFF w/4hr delay, 100% ON, 100% ON/OFF
- Separate DIM+/DIM- buttons
- Separate ON-AUTO/OFF buttons
- LED indicator will flash blue when connecting to app
- Red LED indicator will flash for low power condition
- Can be mounted or used as a remote
- Easily retrofit existing wall switches with wall plates
- No wiring required

## TECHNICAL DATA

Input Voltage: DC 3V  
 Bluetooth Transmit: 100ft Max  
 Radio Frequency: 2.4GHz ± 75MHz  
 Bluetooth Version: 5.0  
 Housing Material: UL 94-V0  
 Indoor Use Only  
 Operating Temperature: -18°C to 50°C,  
 -0.4°F to 122°F  
 Storage Temperature: 0°C to 30°C,  
 32°F to 86°F  
 IP Rating: IP20  
 Warranty: 5 years warranty

## ORDERING INFORMATION

Model No.	Description
BMWS-L-D-8BT-BLE-KL-WH	Wireless Wall Switch 8 Buttons, powered by CR2032 battery, white
BMWS-WPK-WH	Wall Plate Kits, white

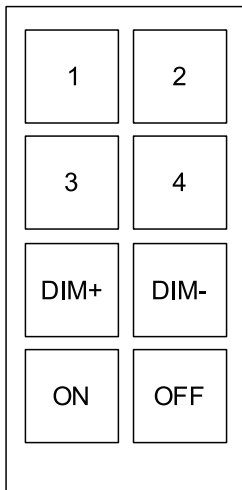
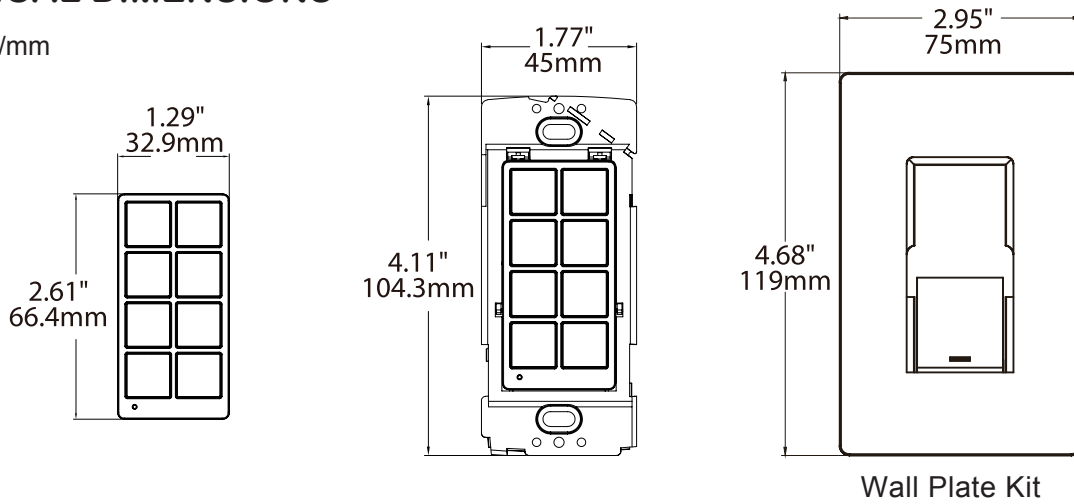
### Revise -WH suffix for different color options:

- WH - White (standard)
- IV - Ivory
- LA - Light Almond
- GY - Gray
- BK - Black
- RD - Red

\* White color is standard. Optional and Custom colors may require an additional charge.

## PHYSICAL DIMENSIONS

Unit:inch/mm



Buttons 1 to 4 can be configured with custom scenes.

The following default preset scenes are also available:

ON, ON/OFF, OFF w/15min delay, OFF w/1hr delay,  
OFF w/2hr delay, OFF w/4hr delay, 100% ON, 100% ON/OFF.

## WARRANTY

Five year limited warranty.

Specifications subject to change without notice.